

Maxseal Three-piece Ball Valves

IBR Certified for High Temperature Services
Class 600, Sizes 1/4" to 2"

L&T Valves Maxseal Ball Valve is an environmentally friendly flow-control solution for steam lines. The valve offers significant saving of process steam compared to multi-turn valve with rising stem.

Maxseal is designed to handle 103 bar pressure at 38° C and 5 bar pressure at 270°C. The valve achieves bubble-tight isolation in steam lines leveraging the time-tested L&T Ball Valve design and Special Filled PTFE seats. The quarter-turn valve is suited for quick closing services and can be easily automated to meet customer requirements.



Compliance Standards

- Valve Design: ISO 17292
- Ends - Screwed BSPT: ISO 7-1, NPT: ASME B1.20.1
- Ends - Socket-weld: ASME B16.11
- Pressure Test: ISO 5208, Class A

Salient Features:

- IBR Certified - Wall thickness meets Regulation 350 of the Indian Boiler Regulations, 1950, which covers design, fabrication, inspection, testing and certification of the valves
- Blowout Proof Stem
- High Integrity Stem Sealing
- Mirror-finished Solid Stainless Steel Balls
- Seats with Pressure-relieving Slots
- Cavity Pressure Relief Mechanism
- Levers with higher clearance to accommodate pipe insulation

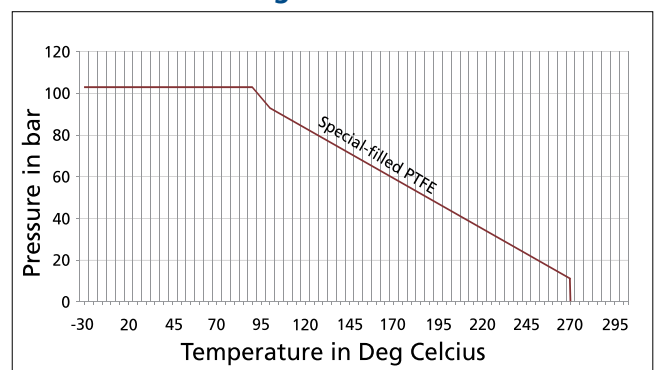
Materials of Construction

- Body/ Connector - A216 Gr WCB, A105
- Ball - A352 Gr CF8M/ A182 Gr F316
- Seat - Maxseal Special Filled PTFE
- Stem - A479 Type 316
- Body Seal - Graphite
- Stem Thrust Seal - Carbon-filled PTFE
- Stem Packing - Graphite

Range

Type	Class	Size	End Connection
Full Bore	600	1/4" - 2"	Screwed
Regular Bore		3/4" - 2"	Socket-weld

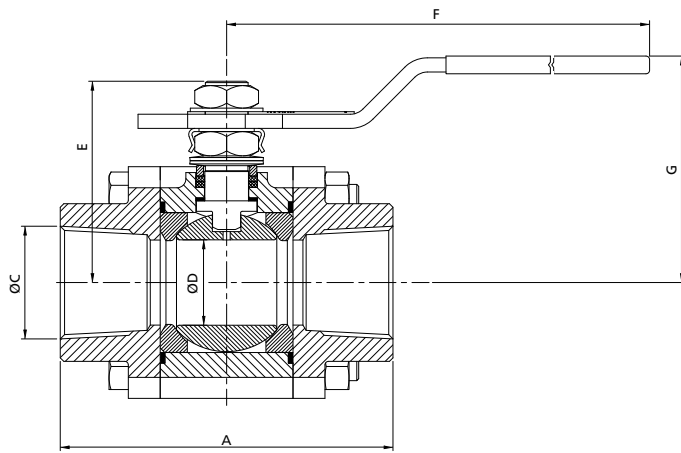
Maxseal Seat Rating



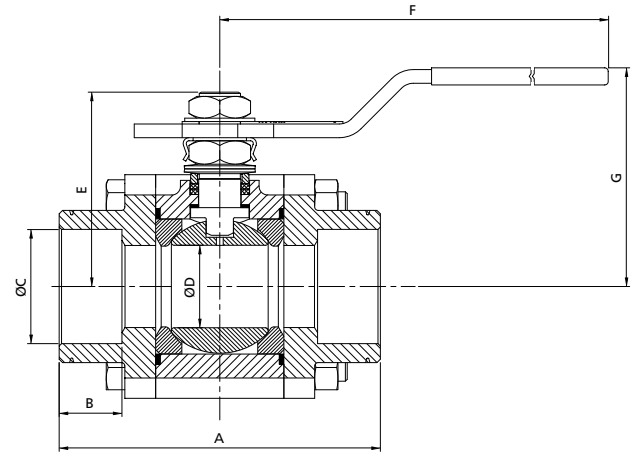
Application

Process steam service in

- Chemical & Petrochemicals
- Tyre Industry
- Textiles
- Pharmaceuticals
- Food & Beverage
- Power Plants



Screwed



Socket-weld end

Dimensions & Weights

Full bore

Size		A	B	C			D	E	F	G	Weight
NPS	DN			BSPT	NPT	SW					
¼	8	73	10	¼" - 19	¼" - 18	14.6 - 14.2	14.3	42	125	95	1
⅜	10	73	10	⅜" - 19	⅜" - 18	18.0 - 17.6	14.3	42	125	95	1
½	15	73	10	½" - 14	½" - 14	22.2 - 21.8	14.3	42	125	95	1
¾	20	95	13	¾" - 14	¾" - 14	27.6 - 27.2	20.6	50	155	100	1.5
1	25	92	13	1" - 11	1" - 11½	34.3 - 33.9	24	54	155	100	2
1¼	32	114	13	1¼" - 11	1¼" - 11½	43.1 - 42.7	37	75	215	125	4
1½	40	114	13	1½" - 11	1½" - 11½	49.2 - 48.8	37	75	215	125	4
2	50	132	16	2" - 11	2" - 11½	61.7 - 61.2	49	87	215	125	6

All dimensions in mm and weights in kg

Regular bore

Size		A	B	C			D	E	F	G	Weight
NPS	DN			BSPT	NPT	SW					
¾	20	73	13	¾" - 14	¾" - 14	27.6 - 27.2	14.3	42	125	95	1
1	25	95	13	1" - 11	1" - 11½	34.3 - 33.9	20.6	50	155	100	2
1¼	32	97	13	1¼" - 11	1¼" - 11½	43.1 - 42.7	24	55	155	100	2
1½	40	116	13	1½" - 11	1½" - 11½	49.2 - 48.8	31.8	75	215	125	4.5
2	50	122	16	2" - 11	2" - 11½	61.7 - 61.2	37	75	215	125	4.5

All dimensions in mm and weights in kg



L&T Valves Limited

Mount - Poonamallee Road, Manapakkam, Chennai 600 089, INDIA

Tel: + 91 44 2252 9855 Email: ContactUs@Lntvalves.com www.Lntvalves.com CIN Number: U74999MH1961PLC012188

Registered Office: L&T House, N. M. Marg, Ballard Estate, Mumbai - 400 001, INDIA

Publication Number: VF103/0119

As we continuously endeavour to improve our products, the data given herein is subject to change.

Please refer www.Lntvalves.com for the latest publication.

